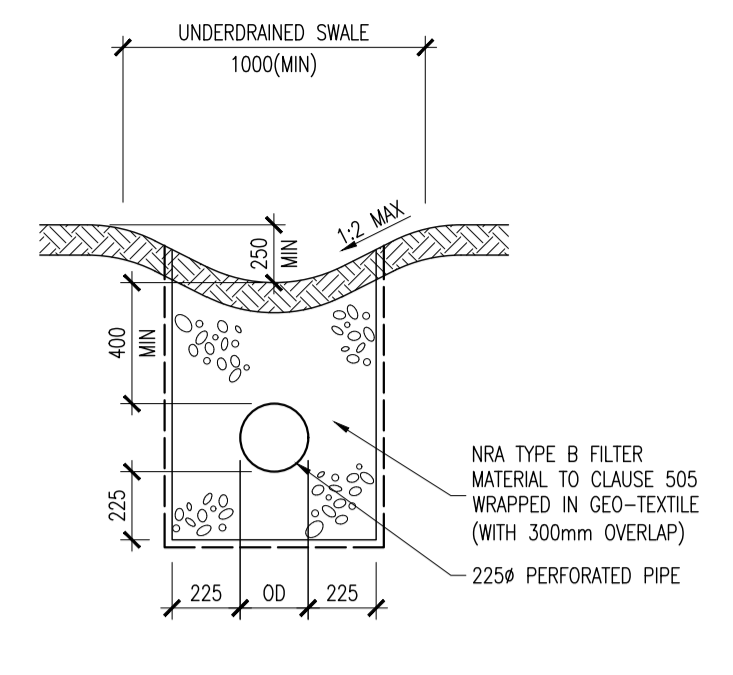
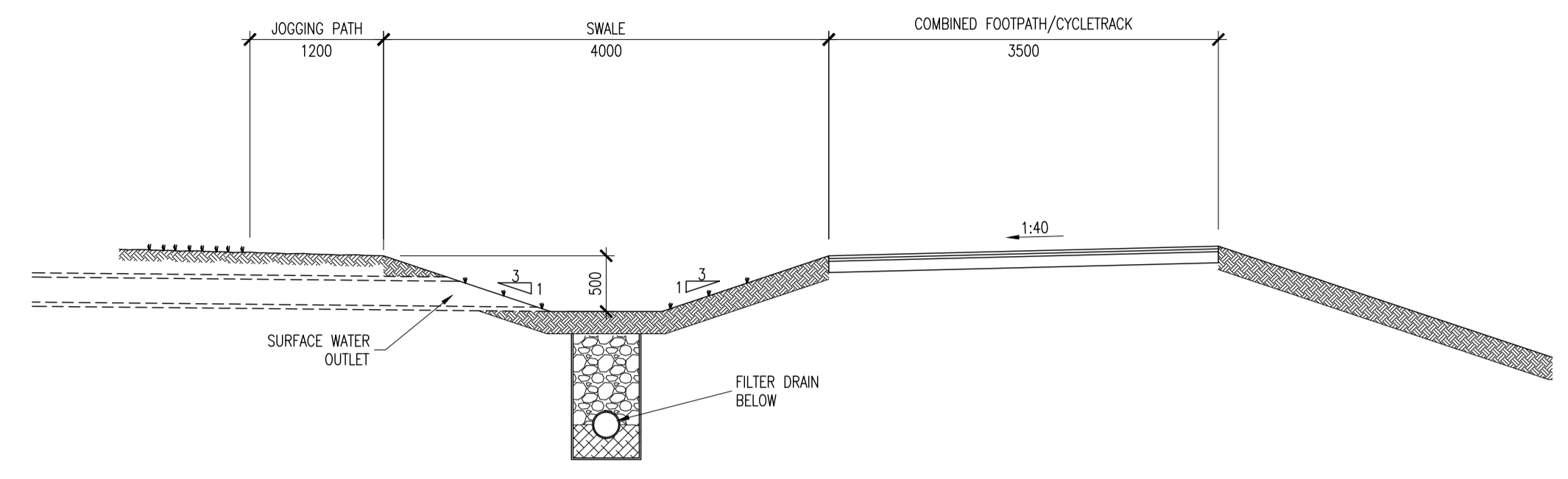


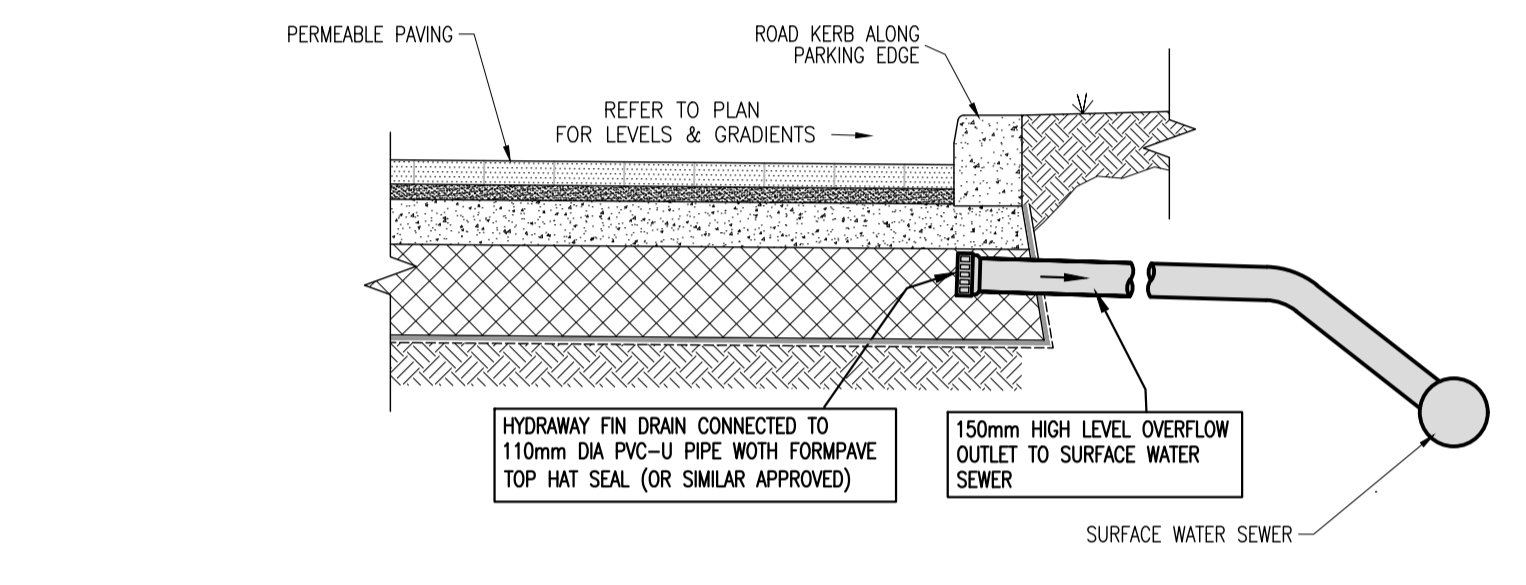
TYPICAL PETROL INTERCEPTOR DETAILS
SCALE 1:25



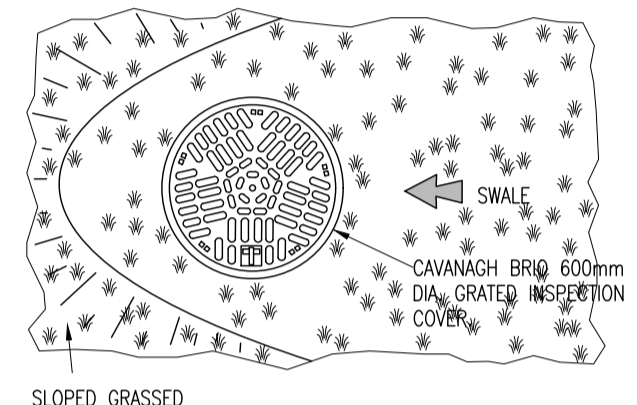
UNDERDRAINED SWALE DETAIL
SCALE 1:25



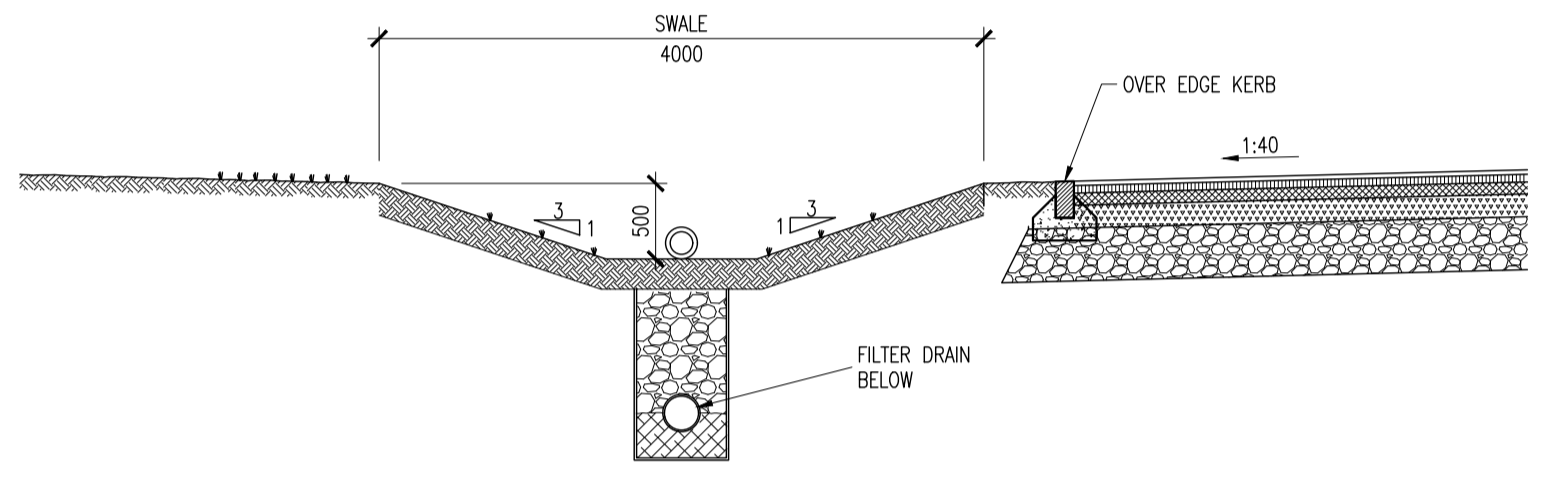
SWALE DETAIL WITH SW INLET
SCALE 1:50



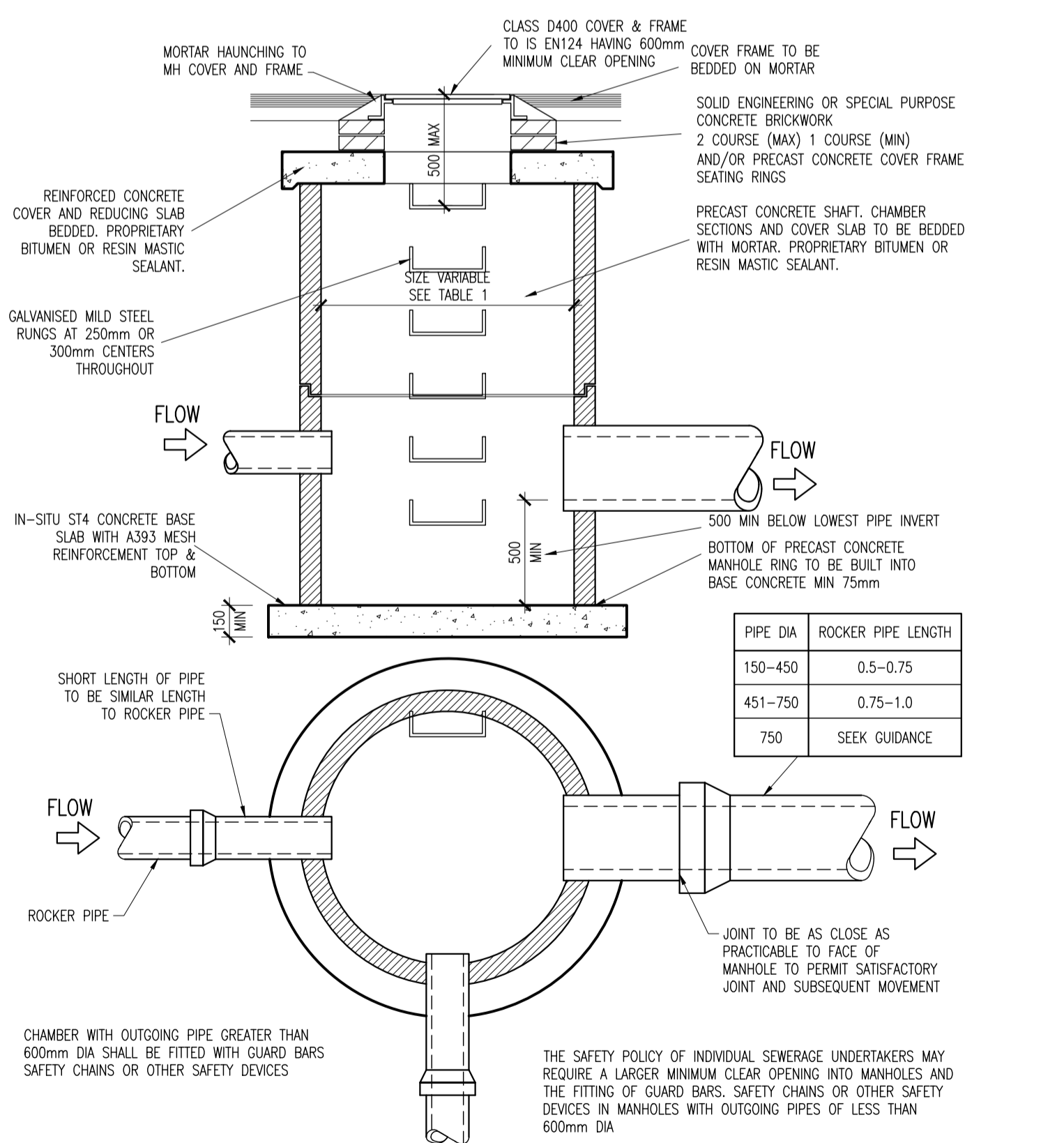
TYPICAL PUBLIC PARKING DRAINAGE SECTION
SCALE: NTS



CAVANAGH BRIO MANHOLE COVER
SCALE NTS



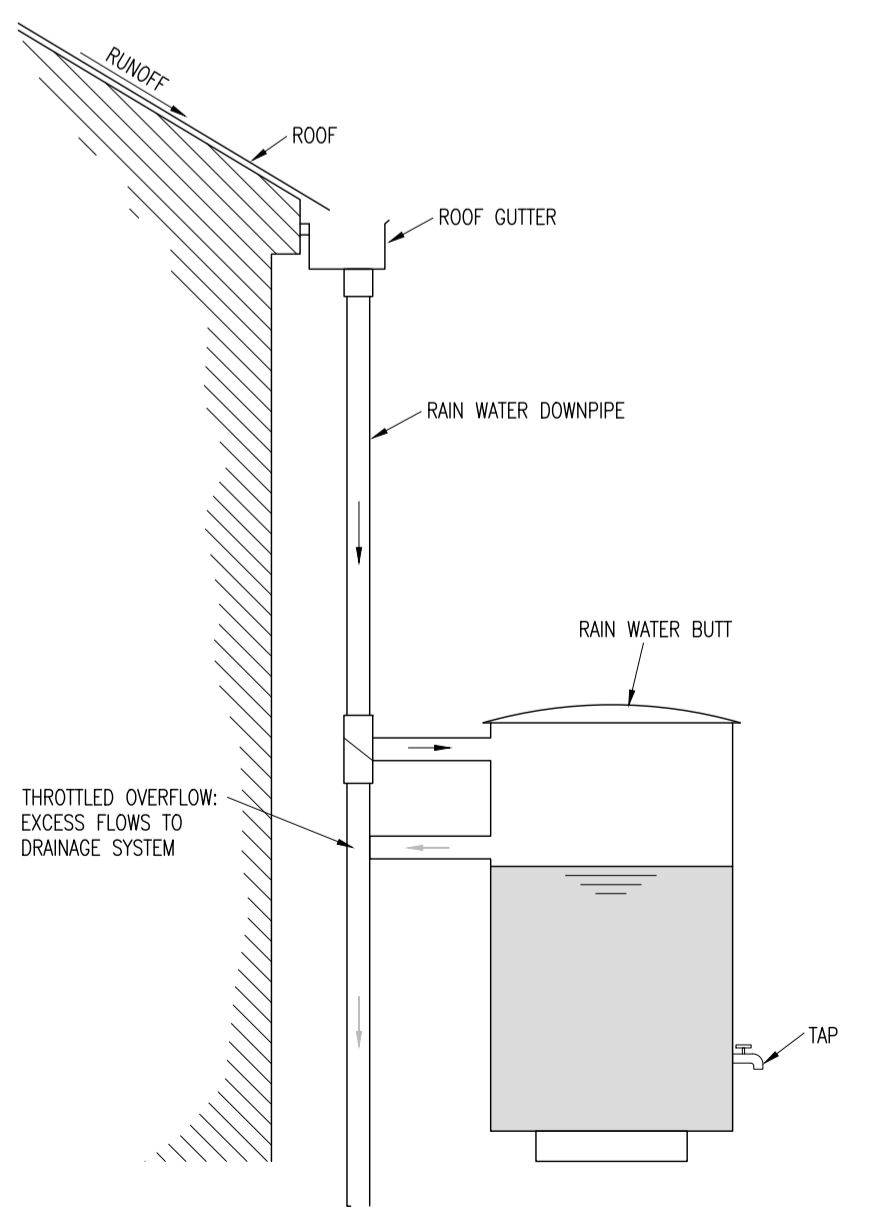
SWALE DETAIL WITH OVER EDGE KERB
SCALE 1:50



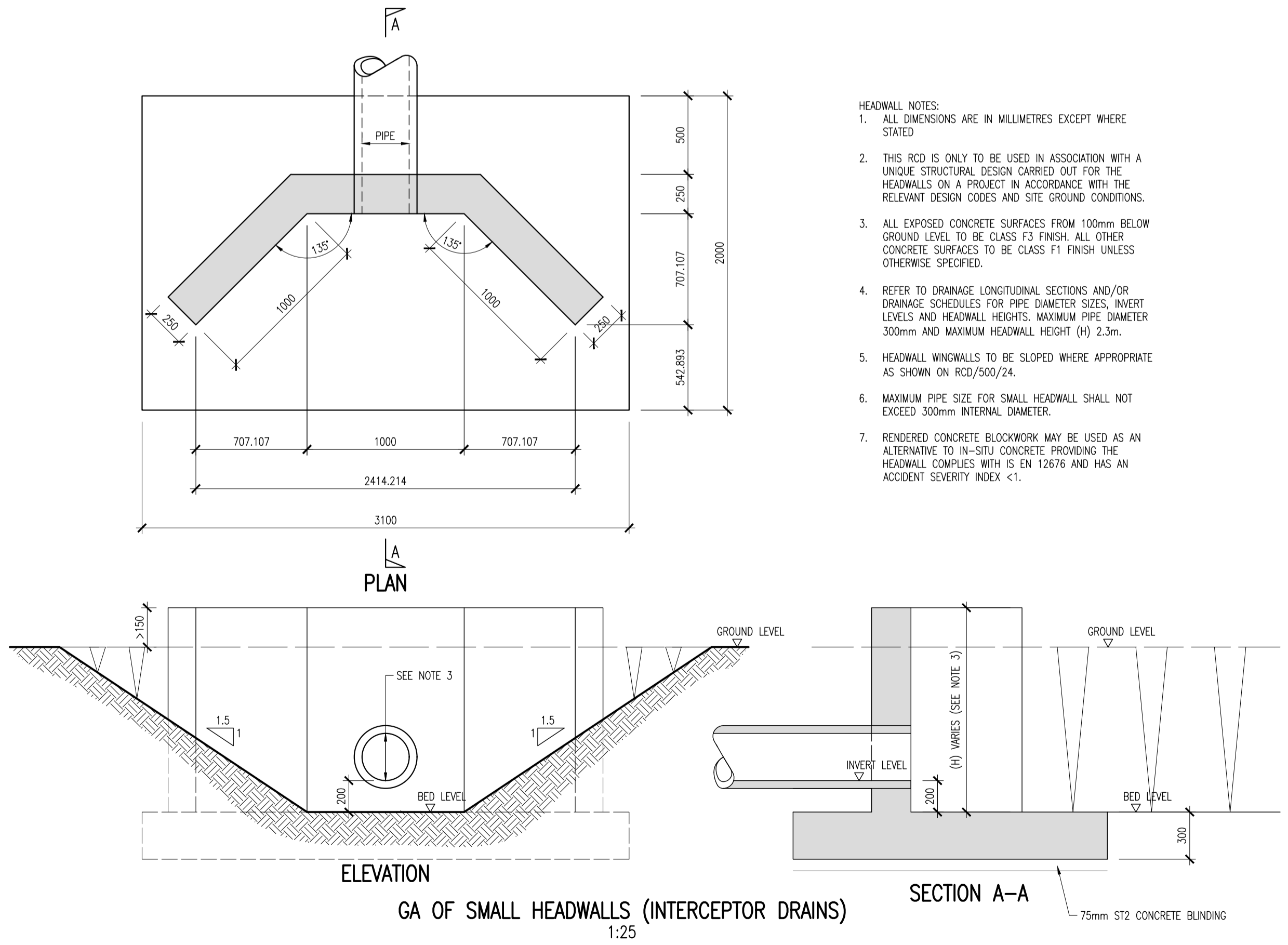
CATCHPIT MANHOLE DETAIL ON FILTER DRAIN RUNS
SCALE 1:25

DIAMETER OF LARGEST PIPE IN MANHOLE (mm)	CHAMBER SECTION DIAMETER (mm)
LESS THAN 375	1200 (1050 WHERE DEPTH TO SOFFIT IS 1.35m - 1.5m)
375 - 450	1350
500 - 700	1500
750 - 900	1800

TABLE 1



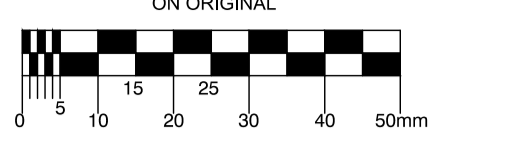
TYPICAL WATER BUTT DETAIL
SCALE: NTS



GA OF SMALL HEADWALLS (INTERCEPTOR DRAINS)
SCALE 1:25

- HEADWALL NOTES:
- ALL DIMENSIONS ARE IN MILLIMETRES EXCEPT WHERE STATED.
 - THIS RCD IS ONLY TO BE USED IN ASSOCIATION WITH A UNIQUE STRUCTURAL DESIGN CARRIED OUT FOR THE RELEVANT DESIGN CODES AND SITE GROUND CONDITIONS.
 - ALL EXPOSED CONCRETE SURFACES FROM 100mm BELOW GROUND LEVEL TO BE CLASS F3 FINISH. ALL OTHER CONCRETE SURFACES TO BE CLASS F1 FINISH UNLESS OTHERWISE SPECIFIED.
 - REFER TO DRAINAGE LONGITUDINAL SECTIONS AND/OR DRAINAGE SCHEDULES FOR PIPE DIAMETER SIZES, INVERT LEVELS AND HEADWALL HEIGHTS. MAXIMUM PIPE DIAMETER 300mm AND MAXIMUM HEADWALL HEIGHT (H) 2.3m.
 - HEADWALL WINGWALLS TO BE SLOPED WHERE APPROPRIATE AS SHOWN ON RCD/500/24.
 - MAXIMUM PIPE SIZE FOR SMALL HEADWALL SHALL NOT EXCEED 300mm INTERNAL DIAMETER.
 - RENDED CONCRETE BLOCKWORK MAY BE USED AS AN ALTERNATIVE TO IN-SITU CONCRETE PROVIDING THE HEADWALL COMPLIES WITH IS EN 12676 AND HAS AN ACCIDENT SEVERITY INDEX <1.

© COPYRIGHT OF THIS DRAWING IS RESERVED BY DBFL CONSULTING ENGINEERS. NO PART SHALL BE REPRODUCED OR TRANSMITTED WITHOUT THEIR WRITTEN PERMISSION.



- NOTES:
- WHERE ROCKS OR OTHER HARD TRENCH BOTTOM IS ENCOUNTERED THE FIGURE DENOTED BY * IS TO BE DOUBLED.
 - TYPE 1 GRANULAR MATERIAL: BROKEN STONE OR GRAVEL TO PASS 10mm SIEVE AND BE RETAINED ON 5mm SIEVE.
 - TYPE 2 GRANULAR MATERIAL: BROKEN STONE OR GRAVEL TO PASS 10mm - 25mm SIEVE, ACCORDING TO PIPE SIZE, (SEE TABLE) AND BE RETAINED ON 5mm SIEVE.
 - TYPE 3 SELECTED FILL: UNIFORM READILY COMPACTED MATERIAL FREE FROM TREE ROOTS, VEGETABLE MATTER, BUILDING DEBRIS, AND FROZEN SOIL AND EXCLUDING CLAY LUMPS RETAINED ON A 75mm SIEVE AND STONES RETAINED ON A 37.5mm SIEVE.
 - RIGID PIPES SHALL MEAN CAST OR SPUN IRON, CONCRETE, OR CLAY.
 - FLEXIBLE PIPES SHALL MEAN PIPES OF STEEL, PVC, OTHER PLASTIC OR DUCTILE IRON.
 - ROAD GULLY GRATINGS AND FRAMES SHALL COMPLY WITH THE REQUIREMENTS OF IS/EN 124: 1994. EACH GULLY AND FRAME SHALL HAVE MARKED CLEARLY THEREON:
 - IS/EN 124:1994 - CLASS C250 OR CLASS D400 AS APPROPRIATE
 - THE NAME AND/OR IDENTIFICATION MARK OF THE MANUFACTURER AND THE PLACE OF MANUFACTURE.
 - THE YEAR OF MANUFACTURE.
 - MARK OF THE CERTIFICATION BODY
 - ROAD GULLY PITS TO BE IN-SITU CONCRETE OR BLOCKWORK AS SPECIFIED

TYPE 2 GRANULAR MATERIAL:

PIPE SIZE	100% PASSING
UP TO 225mm	10mm SIEVE
225 TO 450mm	20mm SIEVE
ABOVE 450mm	25mm SIEVE

REV.	DATE	DESCRIPTION	BY	CHKD.
A	09-10-15	PLANNING SHD STAGE 3	DJG	DCS

PLANNING SHD STAGE 3

DESIGNED	DMW	PREPARED	DJG
DATE	DEC 2018	CHECKED	DJR

DBFL Consulting Engineers email: info@dbfl.ie www: www.dbfl.ie

PROJECT
STRATEGIC HOUSING DEVELOPMENT AT COLPE WEST, DROGHEDA, CO. MEATH

DRG. TITLE
DRAINAGE DETAILS SHEET 3

CLIENT
SHANNON HOMES DROGHEDA LTD.

SCALE AS SHOWN @A1 FILE REF: 170092-3063
DRG. NO. 170092-3063