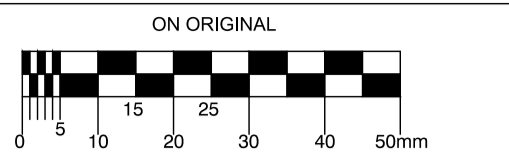


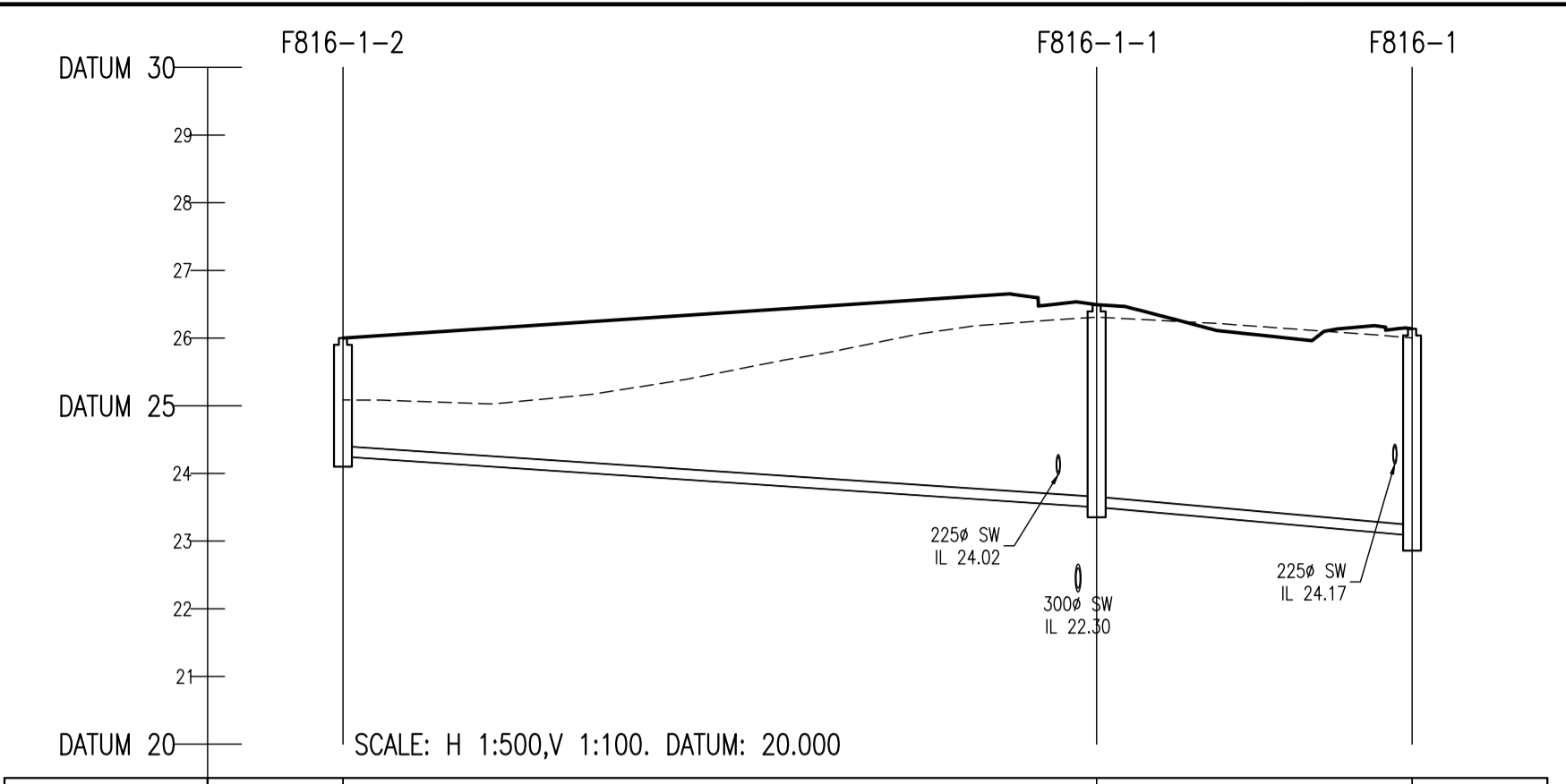
© COPYRIGHT OF THIS DRAWING IS RESERVED BY DBFL CONSULTING ENGINEERS. NO PART SHALL BE REPRODUCED OR TRANSMITTED WITHOUT THEIR WRITTEN PERMISSION.



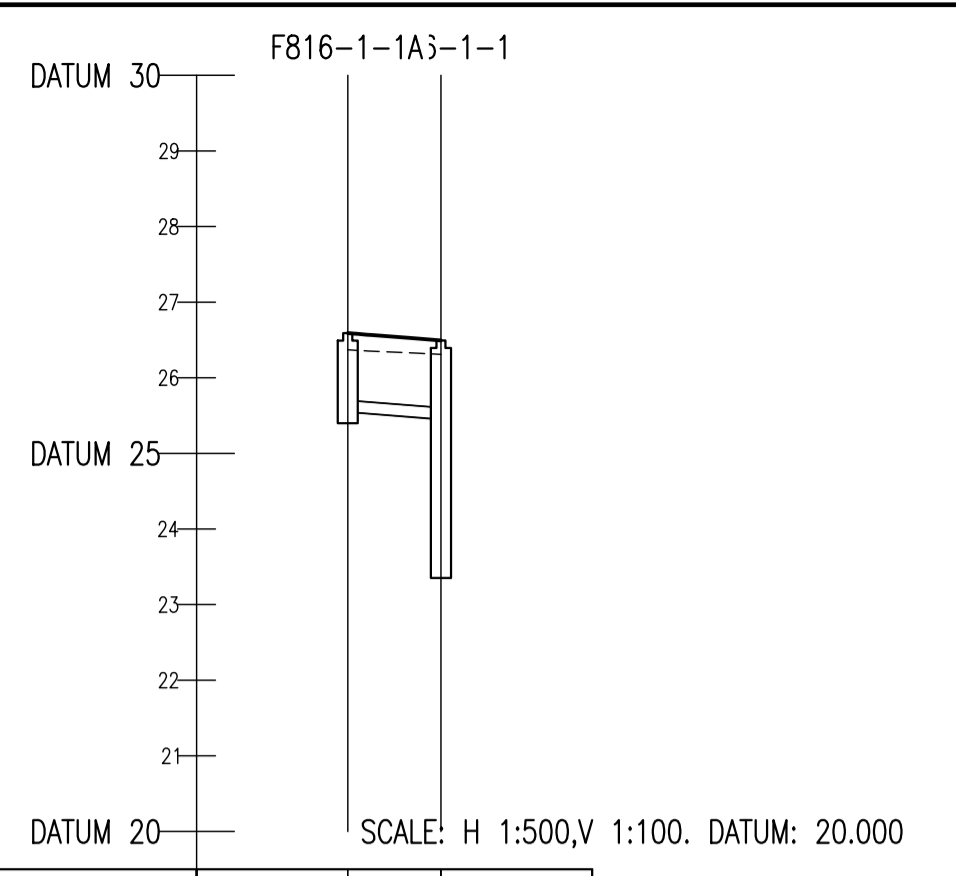
- NOTES:
- ALL DRAWINGS TO BE CHECKED BY CONTRACTOR ON SITE AND ENGINEER INFORMED OF DISCREPANCIES BEFORE WORK COMMENCES
 - ALL LEVELS ARE IN METRES AND ARE RELATED TO ORDNANCE DATUM
 - CONTRACTOR SHALL SATISFY HIMSELF AS TO THE ACCURACY OF PAVEMENT LEVELS ON SITE PRIOR TO COMMENCEMENT OF WORKS ON SITE
 - ALL WORKS TO BE CONSTRUCTED IN ACCORDANCE WITH THE NRA SPECIFICATION FOR ROAD WORKS UNLESS NOTED OTHERWISE
 - THIS DRAWING IS FOR PLANNING PURPOSES ONLY
 - MANHOLE COVER LEVELS ARE TO CONFORM WITH FINISHED ROAD AND PATH LEVELS
 - WHERE COVER TO PIPE IS LESS THAN 1200mm (ROAD/PATH/VERGE) OR 900mm (OPEN SPACE) SURROUND PIPE IN MINIMUM 150mm CONCRETE

KEY

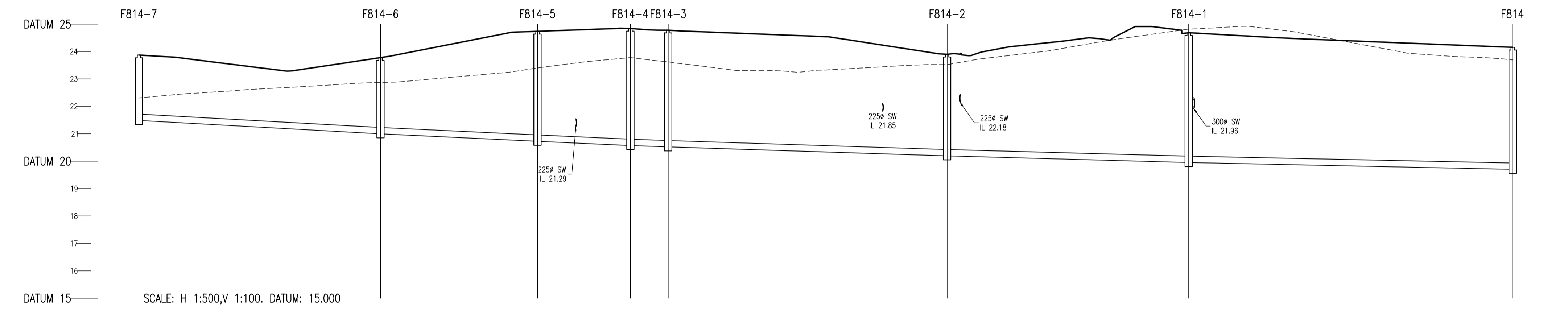
- - - - - EXISTING GROUND PROFILE
- PROPOSED GROUND PROFILE



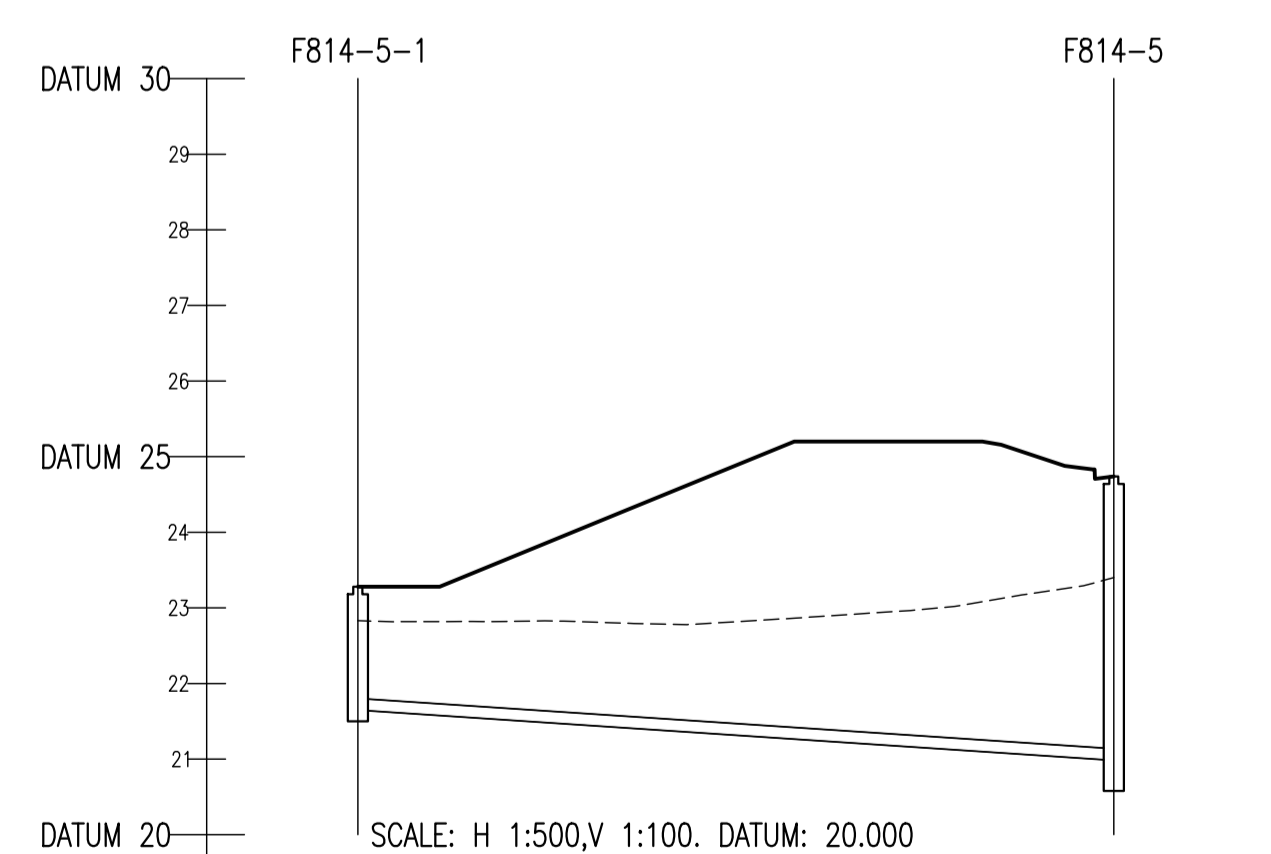
COVER LEVEL	26.000	26.494	26.137
INVERT LEVEL	24.250	23.503	23.085
DEPTH (m)	1.750	2.991	3.127
DISTANCE (m)		55.67	23.30
PIPE SLOPE		1:75	1:56
PIPE SIZE		150mm	150mm



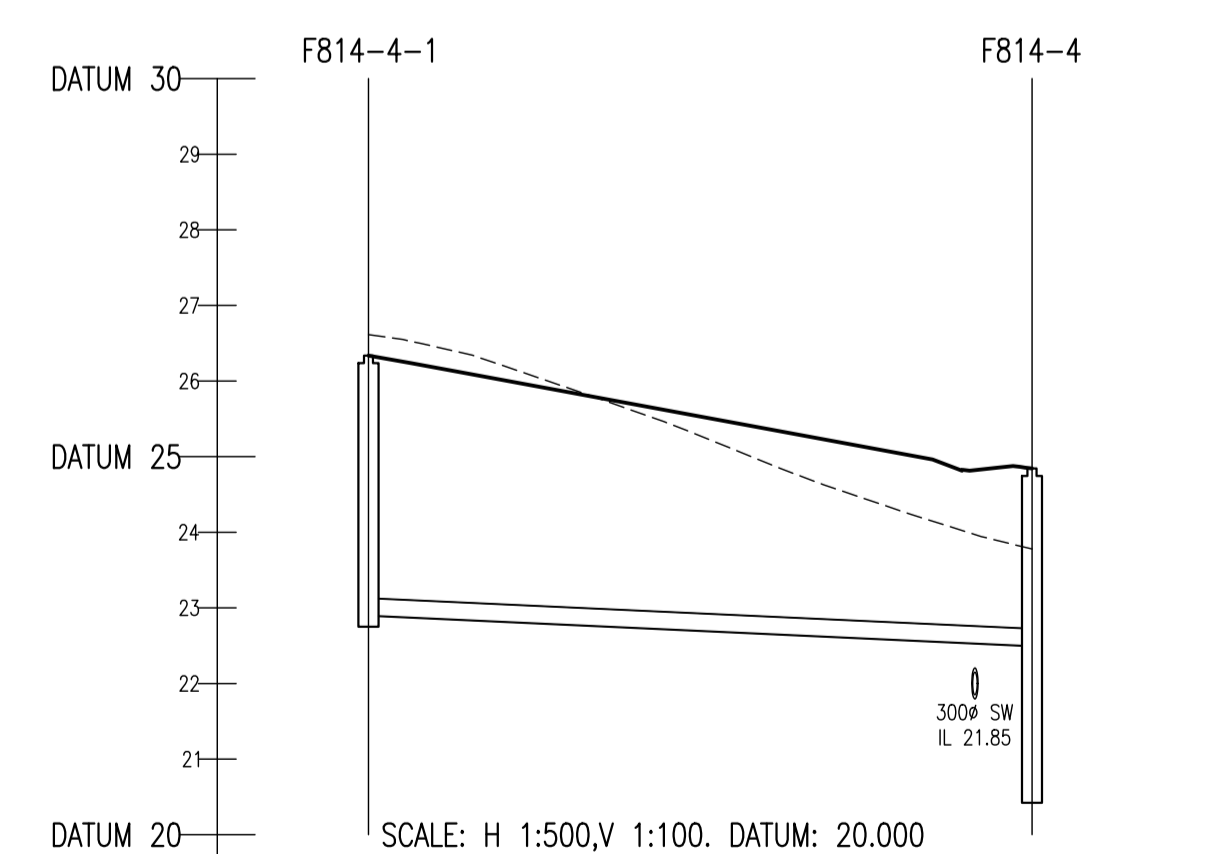
COVER LEVEL	26.590	26.494
INVERT LEVEL	25.550	25.451
DEPTH (m)	1.040	2.091
DISTANCE (m)		6.17
PIPE SLOPE		1:63
PIPE SIZE		150mm



COVER LEVEL	23.871	23.777	24.738	24.843	24.778	23.887	24.686	24.153
INVERT LEVEL	21.489	21.000	20.728	20.573	20.524	20.196	19.954	19.705
DEPTH (m)	2.382	2.777	4.010	4.270	4.254	3.701	4.732	4.448
DISTANCE (m)		44.07	28.63	16.95	6.90	50.87	44.05	
PIPE SLOPE		1:90	1:105	1:109	1:141	1:155	1:182	1:237
PIPE SIZE		225mm	225mm	225mm	225mm	225mm	225mm	225mm



COVER LEVEL	23.280	24.738
INVERT LEVEL	21.650	20.895
DEPTH (m)	1.630	4.010
DISTANCE (m)		50.00
PIPE SLOPE		1:75
PIPE SIZE		150mm



COVER LEVEL	26.336	24.843
INVERT LEVEL	22.800	21.496
DEPTH (m)	3.436	4.270
DISTANCE (m)		43.88
PIPE SLOPE		1:109
PIPE SIZE		225mm

REV.	DATE	DESCRIPTION	BY	CHKD.
A	10-10-19	PLANNING SHD STAGE 3	DJG	DCS

PLANNING SHD STAGE 3

DESIGNED	DMW	PREPARED	DJG
DATE	OCT 2019	CHECKED	DJR

DBFL Dublin Office: Ormrod House, Upper Ormrod Quay, Dublin 7, Ireland. PHONE +353 1 400 4000 FAX +353 1 400 4050
Waterford Office: Unit 2, The Chandlery, 1-2 O'Connell Street, Waterford, Ireland. PHONE +353 51 308 550 FAX +353 51 844 813

DBFL Consulting Engineers email: info@dbfl.ie site: www.dbfl.ie

PROJECT
STRATEGIC HOUSING DEVELOPMENT AT COLPE WEST, DROGHEDA, CO. MEATH

DRG. TITLE
LONGITUDINAL SECTIONS THROUGH FOUL SEWER SHEET 4

CLIENT
SHANNON HOMES DROGHEDA LTD.

SCALE	AS SHOWN @A1	FILE REF.	170092-3081
DRG. NO.	170092-3094		A