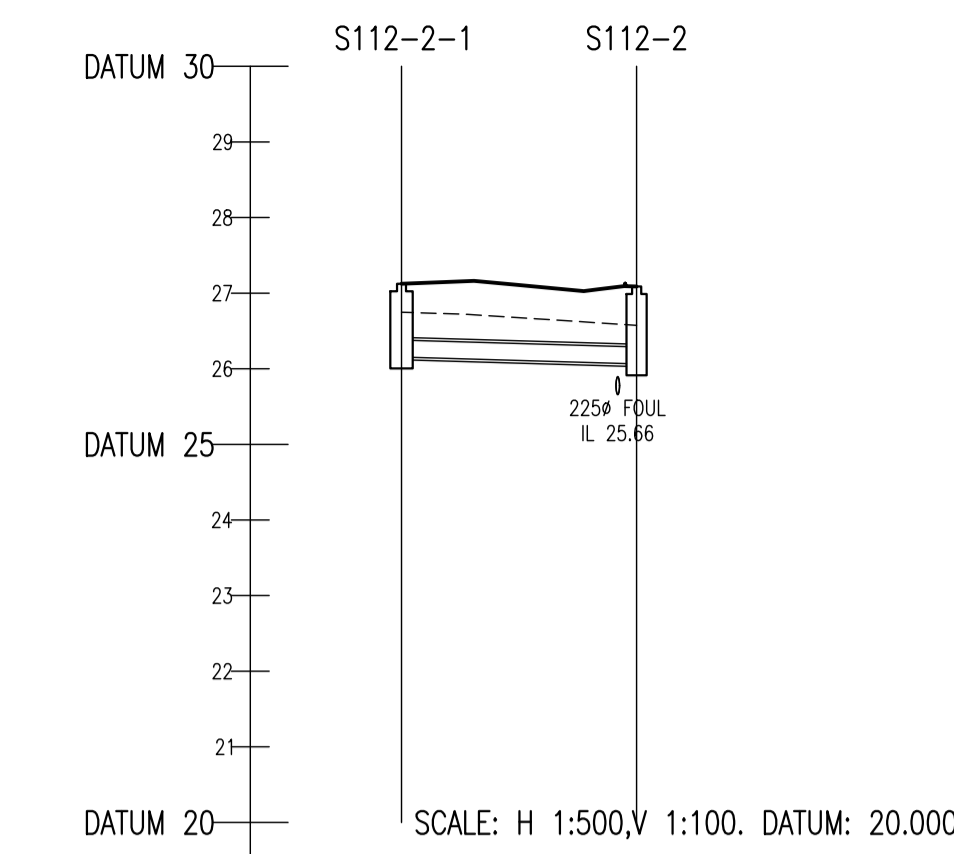
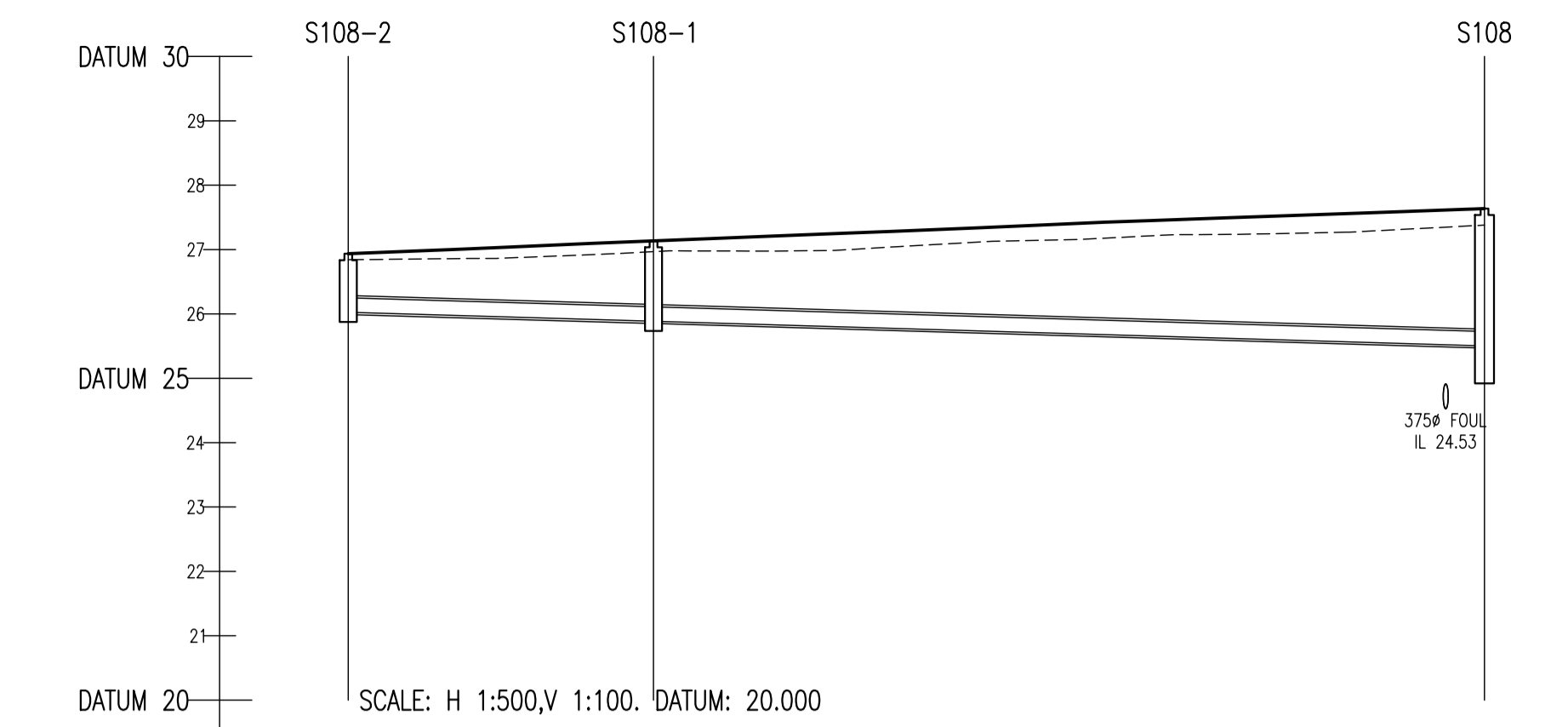


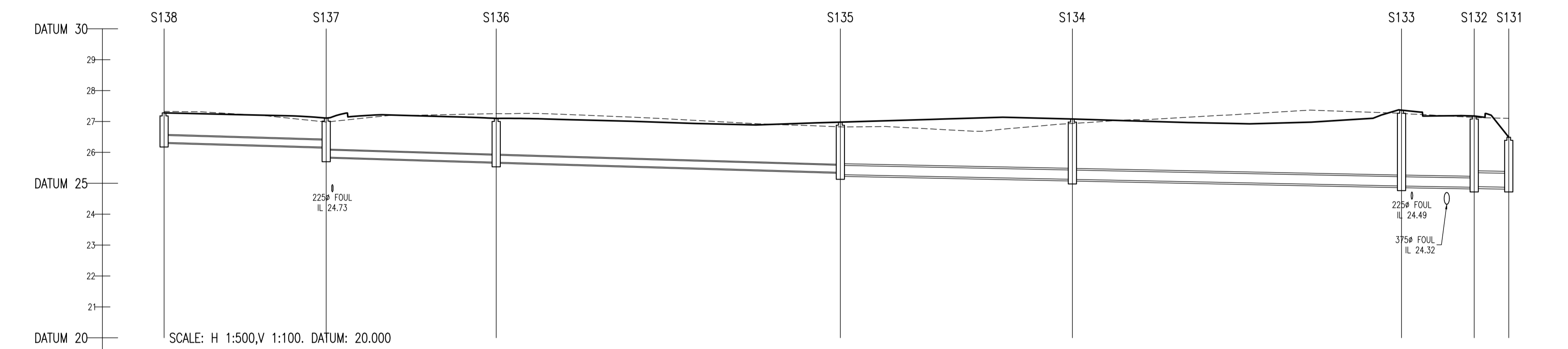
COVER LEVEL	26.999	27.088	27.286	27.242
INVERT LEVEL	26.220	26.073	26.871	25.681
DEPTH (m)	0.779	1.024	1.425	1.747
DISTANCE (m)	19.23	32.89	34.27	
PIPE SLOPE	1:131	1:170	1:163	
PIPE SIZE	225mm	225mm	225mm	



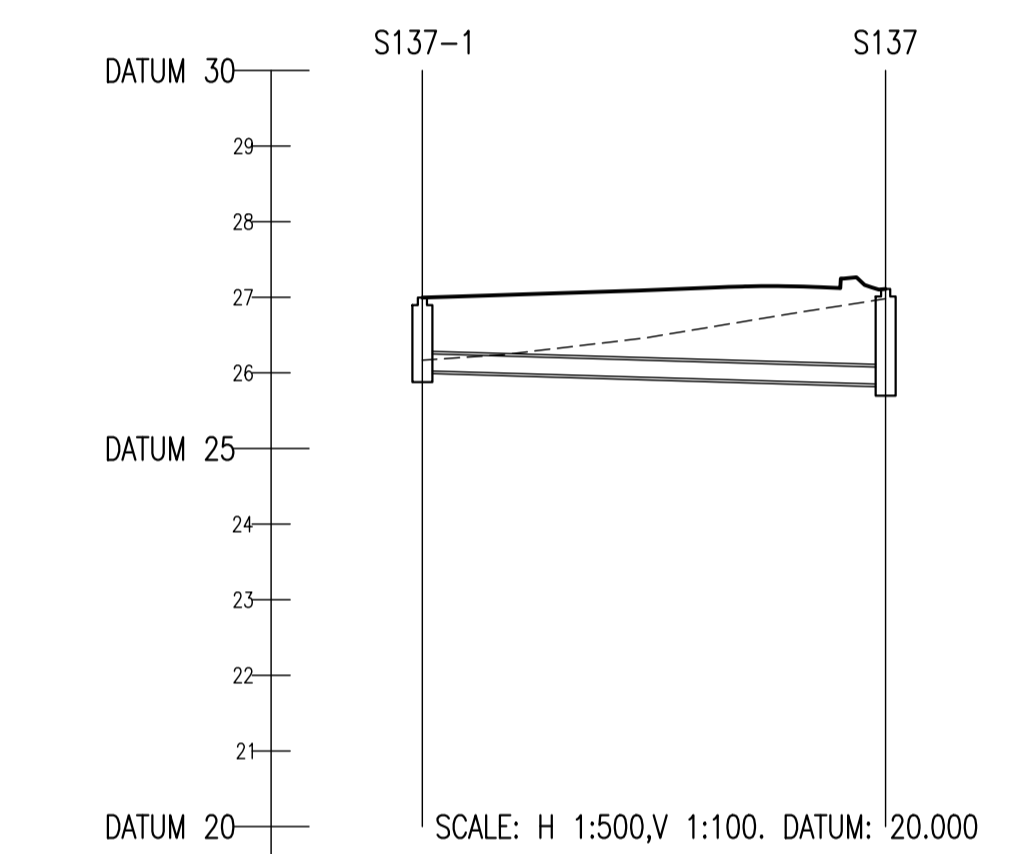
COVER LEVEL	27.125	27.088
INVERT LEVEL	26.155	26.084
DEPTH (m)	0.970	1.024
DISTANCE (m)	15.55	
PIPE SLOPE	1:170	
PIPE SIZE	225mm	



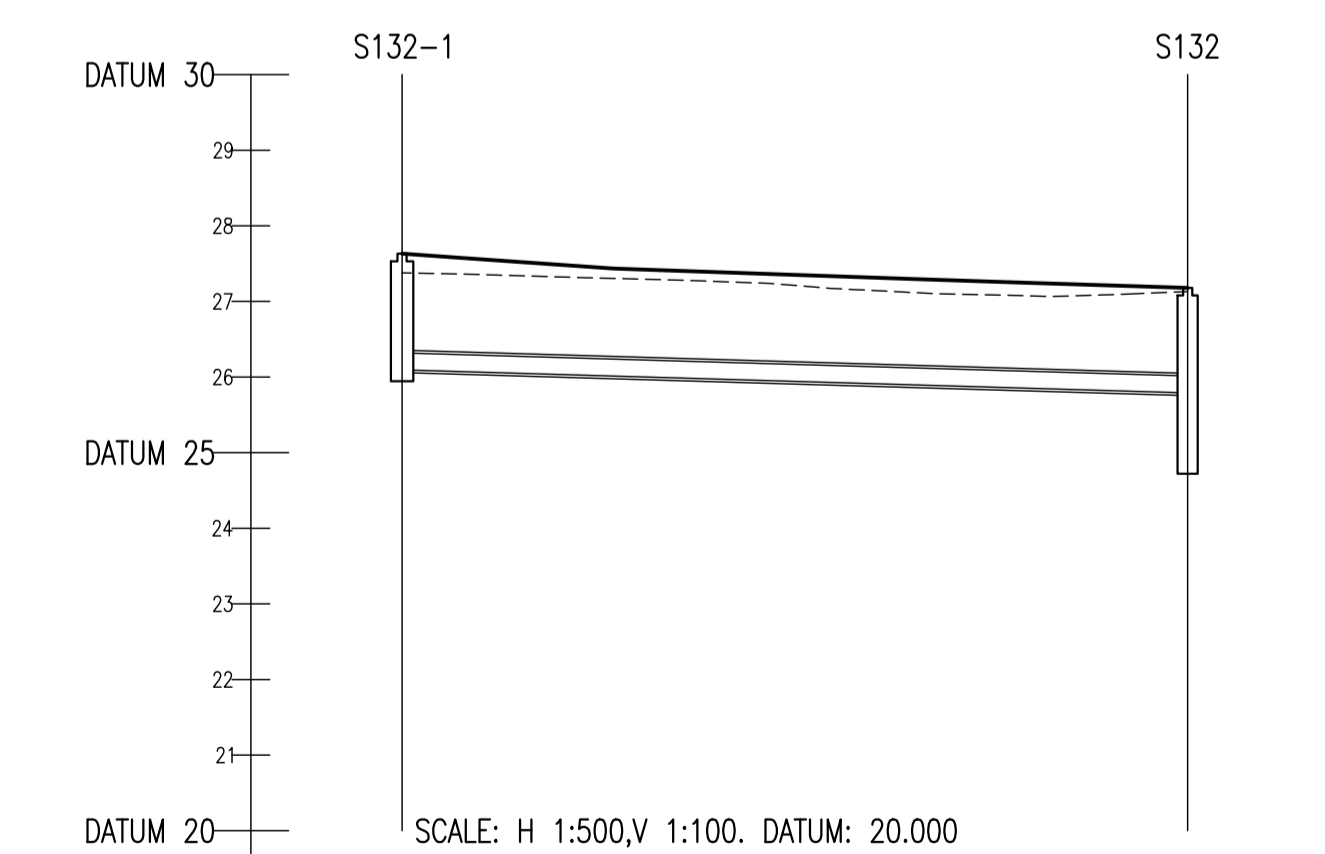
COVER LEVEL	26.325	27.135	27.636
INVERT LEVEL	26.025	25.886	25.553
DEPTH (m)	0.300	1.249	2.585
DISTANCE (m)	23.73	64.60	
PIPE SLOPE	1:171	1:169	
PIPE SIZE	225mm	225mm	



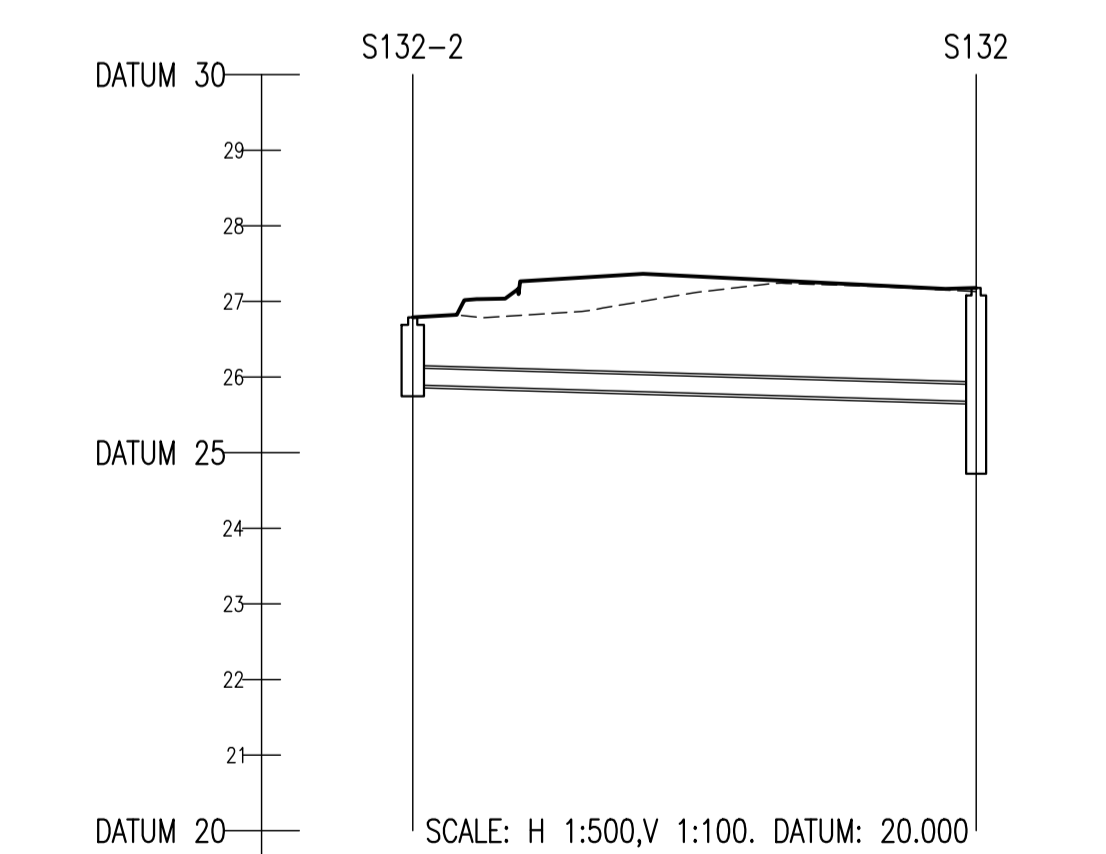
COVER LEVEL	27.279	27.110	27.100	26.980	27.080	27.178	26.490
INVERT LEVEL	26.324	26.170	26.683	25.355	25.128	24.871	24.871
DEPTH (m)	0.955	1.261	1.417	1.700	1.952	2.307	1.619
DISTANCE (m)	26.27	27.55	55.77	37.60	11.78	5.60	
PIPE SLOPE	1:170	1:166	1:247	1:247	1:287	1:247	
PIPE SIZE	225mm	225mm	225mm	300mm	300mm	300mm	450mm



COVER LEVEL	26.995	27.110
INVERT LEVEL	26.029	25.849
DEPTH (m)	0.966	1.261
DISTANCE (m)	30.64	
PIPE SLOPE	1:170	
PIPE SIZE	225mm	

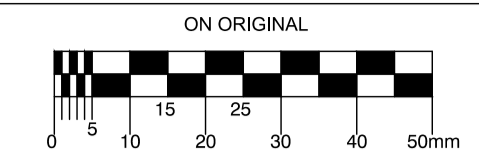


COVER LEVEL	27.631	27.178
INVERT LEVEL	26.085	25.789
DEPTH (m)	1.536	2.307
DISTANCE (m)	51.96	
PIPE SLOPE	1:170	
PIPE SIZE	225mm	



COVER LEVEL	26.790	27.178
INVERT LEVEL	25.895	25.676
DEPTH (m)	0.895	2.307
DISTANCE (m)	37.26	
PIPE SLOPE	1:170	
PIPE SIZE	225mm	

© COPYRIGHT OF THIS DRAWING IS RESERVED BY DBFL CONSULTING ENGINEERS. NO PART SHALL BE REPRODUCED OR TRANSMITTED WITHOUT THEIR WRITTEN PERMISSION.



- NOTES:
- ALL DRAWINGS TO BE CHECKED BY CONTRACTOR ON SITE AND ENGINEER INFORMED OF DISCREPANCIES BEFORE WORK COMMENCES
 - ALL LEVELS ARE IN METRES AND ARE RELATED TO ORDNANCE DATUM
 - CONTRACTOR SHALL SATISFY HIMSELF AS TO THE ACCURACY OF PAVEMENT LEVELS ON SITE PRIOR TO COMMENCEMENT OF WORKS ON SITE
 - ALL WORKS TO BE CONSTRUCTED IN ACCORDANCE WITH THE NRA SPECIFICATION FOR ROAD WORKS UNLESS NOTED OTHERWISE
 - THIS DRAWING IS FOR PLANNING PURPOSES ONLY
 - MANHOLE COVER LEVELS ARE TO CONFORM WITH FINISHED ROAD AND PATH LEVELS
 - WHERE COVER TO PIPE IS LESS THAN 1200mm (ROAD/PATH/VERGE) OR 900mm (OPEN SPACE) SURROUND PIPE IN MINIMUM 150mm CONCRETE

KEY
 - - - - - EXISTING GROUND PROFILE
 _____ PROPOSED GROUND PROFILE

REV.	DATE	DESCRIPTION	BY	CHKD.
PLANNING SHD STAGE 3				
DESIGNED	DMW	PREPARED	DJG	
DATE	OCT 2019	CHECKED	DJR	

DBFL Consulting Engineers
 Dublin Office: Ormrod House, Upper Ormrod Quay, Dublin 7, Ireland. PHONE +353 1 400 4000 FAX +353 1 400 4050
 Waterford Office: Unit 2, The Chandlery, 1-2 O'Connell Street, Waterford, Ireland. PHONE +353 51 308 500 FAX +353 51 844 913
 Email: info@dbfl.ie site: www.dbfl.ie

PROJECT
STRATEGIC HOUSING DEVELOPMENT AT COLPE WEST, DROGHEDA, CO. MEATH

DRG. TITLE
LONGITUDINAL SECTIONS THROUGH SURFACE WATER SHEET 2

CLIENT
SHANNON HOMES DROGHEDA LTD.

SCALE	AS SHOWN @A1	FILE REF.	170092-3081
DRG. NO.	170092-3082		