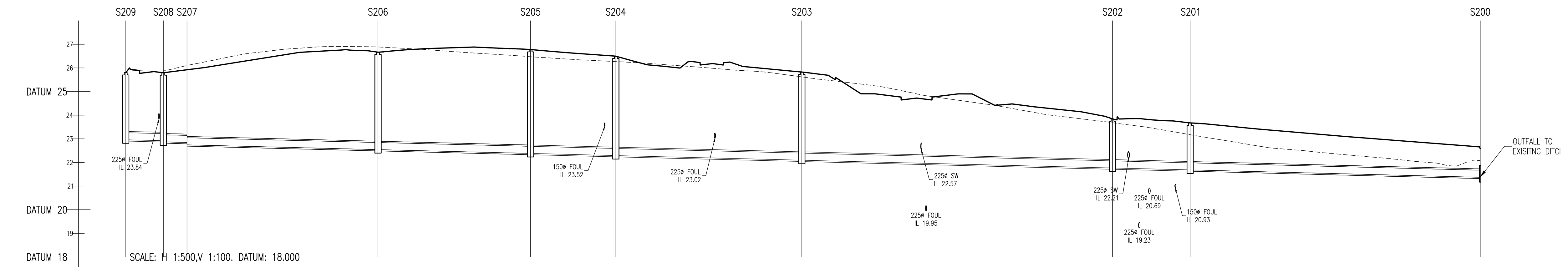
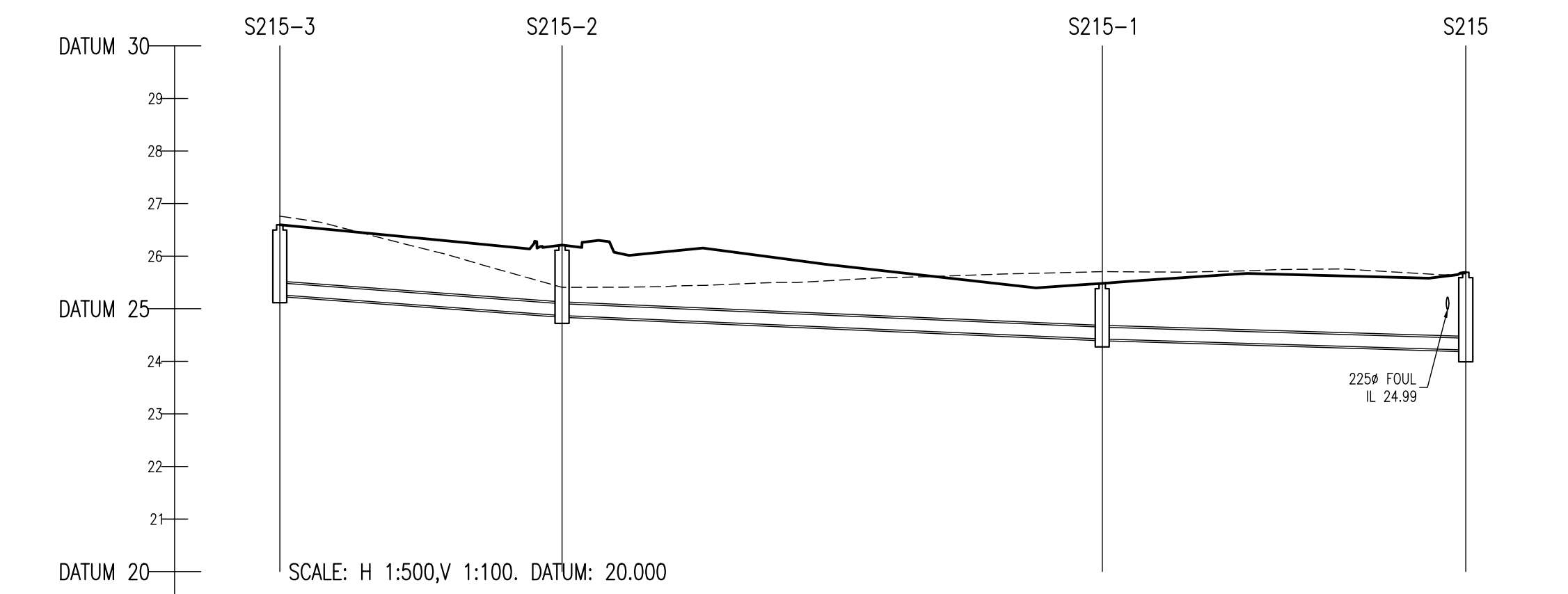


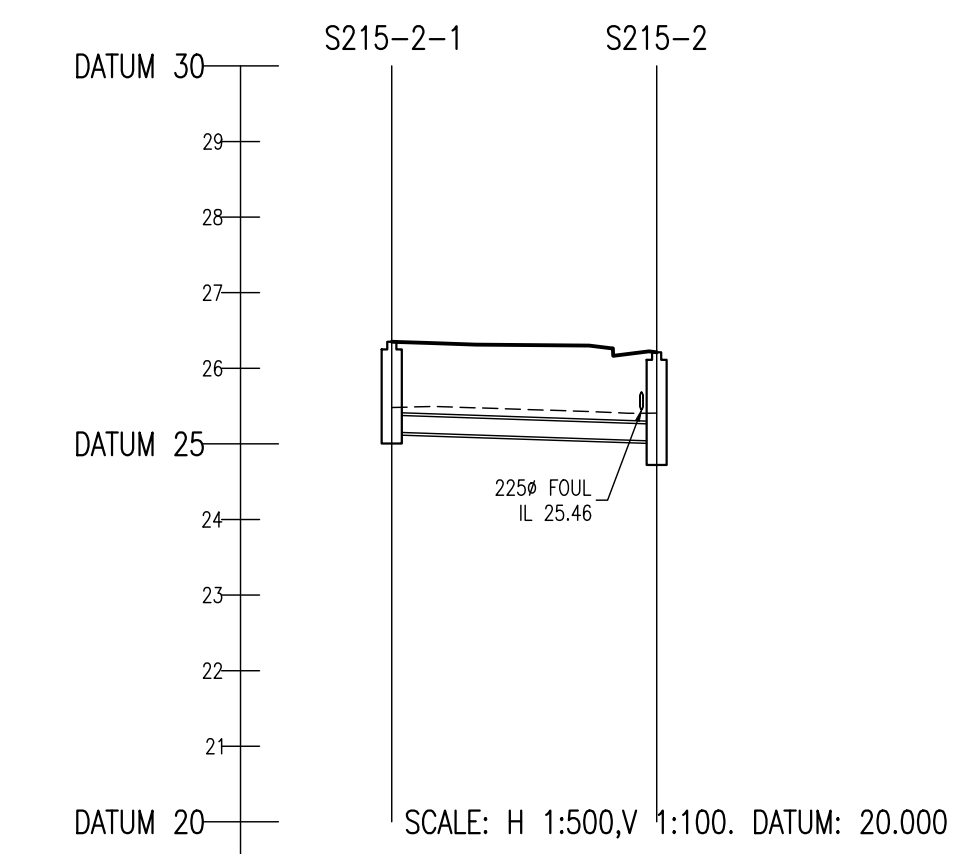
| COVER LEVEL | 26.961 | 27.003 | 26.622 | 26.692 | 26.772 | 26.056 | 26.170 | 25.803 |
|--------------|--------|--------|--------|--------|--------|--------|------------|--------|
| INVERT LEVEL | 25.943 | 26.876 | 25.675 | 24.639 | 23.553 | 23.195 | 22.960 | 22.960 |
| DEPTH (m) | 1.018 | 1.127 | 1.437 | 1.551 | 3.219 | 2.861 | 3.210 | 2.843 |
| DISTANCE (m) | 11.40 | 28.19 | 43.70 | 65.23 | 38.32 | 5.44 | 1.16 | |
| PIPE SLOPE | 1:170 | 1:140 | 1:80 | 1:111 | 1:107 | 1:23 | Horizontal | |
| PIPE SIZE | 225mm | 225mm | 225mm | 300mm | 300mm | 300mm | 300mm | |



| COVER LEVEL | 25.803 | 25.905 | 26.626 | 26.778 | 26.695 | 25.825 | 23.845 | 23.672 | 21.879 |
|--------------|--------|--------|--------|--------|--------|--------|--------|--------|--------|
| INVERT LEVEL | 22.980 | 22.871 | 22.544 | 22.383 | 22.293 | 22.096 | 21.768 | 21.686 | 21.374 |
| DEPTH (m) | 2.843 | 3.034 | 4.122 | 4.395 | 4.402 | 3.729 | 2.077 | 1.987 | ??? |
| DISTANCE (m) | 7.94 | 5.00 | 40.38 | 32.25 | 18.03 | 39.32 | 65.69 | 16.40 | 61.34 |
| PIPE SLOPE | 1:204 | 1:200 | 1:200 | 1:200 | 1:200 | 1:200 | 1:200 | 1:197 | |
| PIPE SIZE | 300mm | 300mm | 300mm | 300mm | 300mm | 300mm | 300mm | 300mm | |

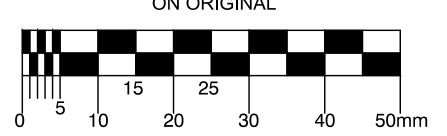


| COVER LEVEL | 26.597 | 26.212 | 25.481 | 25.692 |
|--------------|--------|--------|--------|--------|
| INVERT LEVEL | 25.265 | 24.871 | 24.425 | 24.716 |
| DEPTH (m) | 1.332 | 1.341 | 1.057 | 1.551 |
| DISTANCE (m) | 26.82 | 51.33 | 34.55 | |
| PIPE SLOPE | 1:68 | 1:115 | 1:165 | |
| PIPE SIZE | 225mm | 225mm | 225mm | |



| COVER LEVEL | 26.350 | 26.212 |
|--------------|--------|--------|
| INVERT LEVEL | 25.155 | 25.036 |
| DEPTH (m) | 1.195 | 1.141 |
| DISTANCE (m) | 17.52 | |
| PIPE SLOPE | 1:148 | |
| PIPE SIZE | 225mm | |

© COPYRIGHT OF THIS DRAWING IS RESERVED BY DBFL CONSULTING ENGINEERS. NO PART SHALL BE REPRODUCED OR TRANSMITTED WITHOUT THEIR WRITTEN PERMISSION.



- NOTES:
- ALL DRAWINGS TO BE CHECKED BY CONTRACTOR ON SITE AND ENGINEER INFORMED OF DISCREPANCIES BEFORE WORK COMMENCES
 - ALL LEVELS ARE IN METRES AND ARE RELATED TO ORDNANCE DATUM
 - CONTRACTOR SHALL SATISFY HIMSELF AS TO THE ACCURACY OF PAVEMENT LEVELS ON SITE PRIOR TO COMMENCEMENT OF WORKS ON SITE
 - ALL WORKS TO BE CONSTRUCTED IN ACCORDANCE WITH THE NRA SPECIFICATION FOR ROAD WORKS UNLESS NOTED OTHERWISE
 - THIS DRAWING IS FOR PLANNING PURPOSES ONLY
 - MANHOLE COVER LEVELS ARE TO CONFORM WITH FINISHED ROAD AND PATH LEVELS
 - WHERE COVER TO PIPE IS LESS THAN 1200mm (ROAD/PATH/VERGE) OR 900mm (OPEN SPACE) SURROUND PIPE IN MINIMUM 150mm CONCRETE

KEY
 - - - - - EXISTING GROUND PROFILE
 _____ PROPOSED GROUND PROFILE

| REV. | DATE | DESCRIPTION | BY | CHKD. |
|-----------------------------|----------|-------------|-----|-------|
| PLANNING SHD STAGE 3 | | | | |
| DESIGNED | DMW | PREPARED | DJG | |
| DATE | OCT 2019 | CHECKED | DJR | |

DBFL Consulting Engineers
 Dublin Office: Ormrod House, Upper Ormrod Quay, Dublin 7, Ireland. PHONE +353 1 400 4000 FAX +353 1 400 4050
 Waterford Office: Unit 2, The Chandlery, 1-2 O'Connell Street, Waterford, Ireland. PHONE +353 51 308 500 FAX +353 51 844 913
 Email: info@dbfl.ie site: www.dbfl.ie

PROJECT
STRATEGIC HOUSING DEVELOPMENT AT COLPE WEST, DROGHEDA, CO. MEATH

DRG. TITLE
LONGITUDINAL SECTIONS THROUGH SURFACE WATER SHEET 3

CLIENT
SHANNON HOMES DROGHEDA LTD.

SCALE AS SHOWN @A1 FILE REF. 170092-3081
 DRG. NO. **170092-3083**