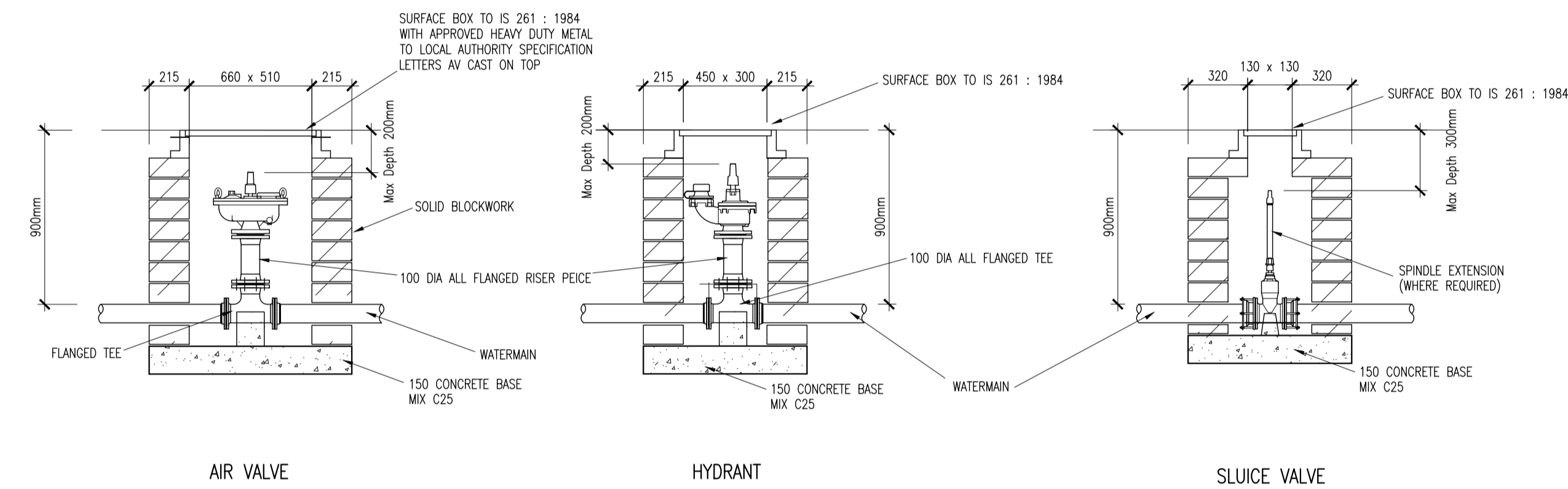


(A) BEDDING DETAIL ACROSS ROADS, FOOTPATHS

(B) BEDDING DETAIL ACROSS OPENSOURCE

WATERMAIN TRENCHING DETAILS

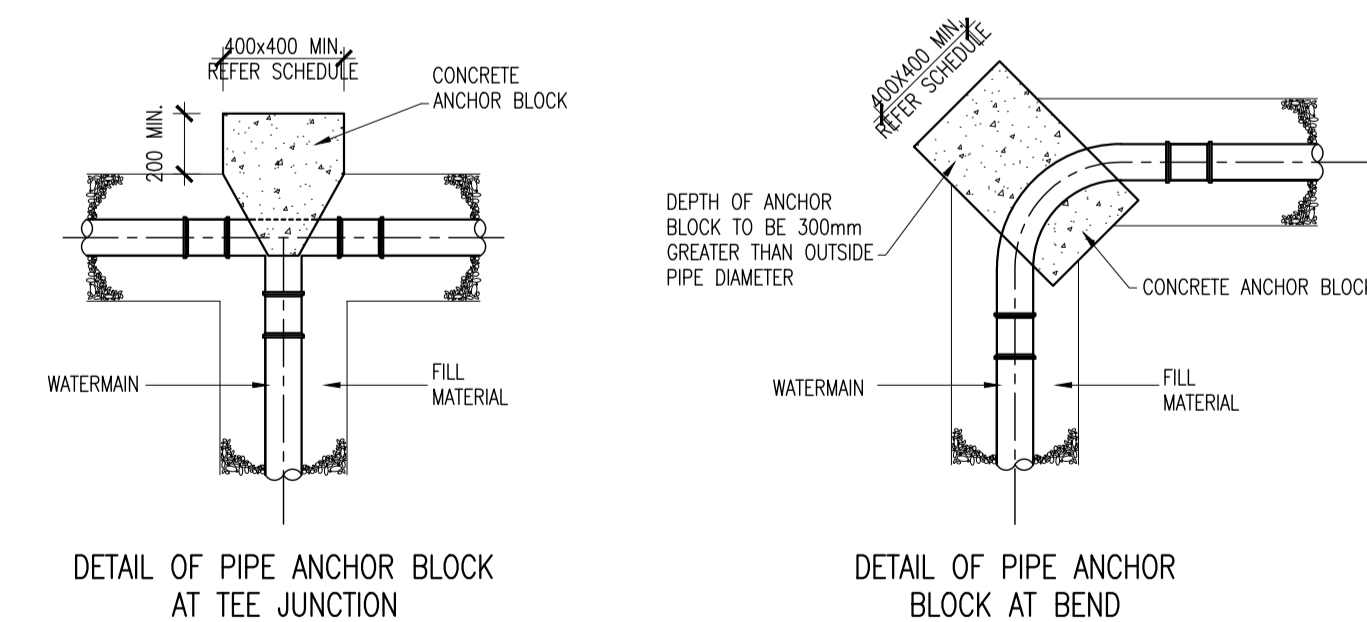


AIR VALVE

HYDRANT

SLUICE VALVE

WATERMAIN VALVE / FITTINGS DETAILS



DETAIL OF PIPE ANCHOR BLOCK AT TEE JUNCTION

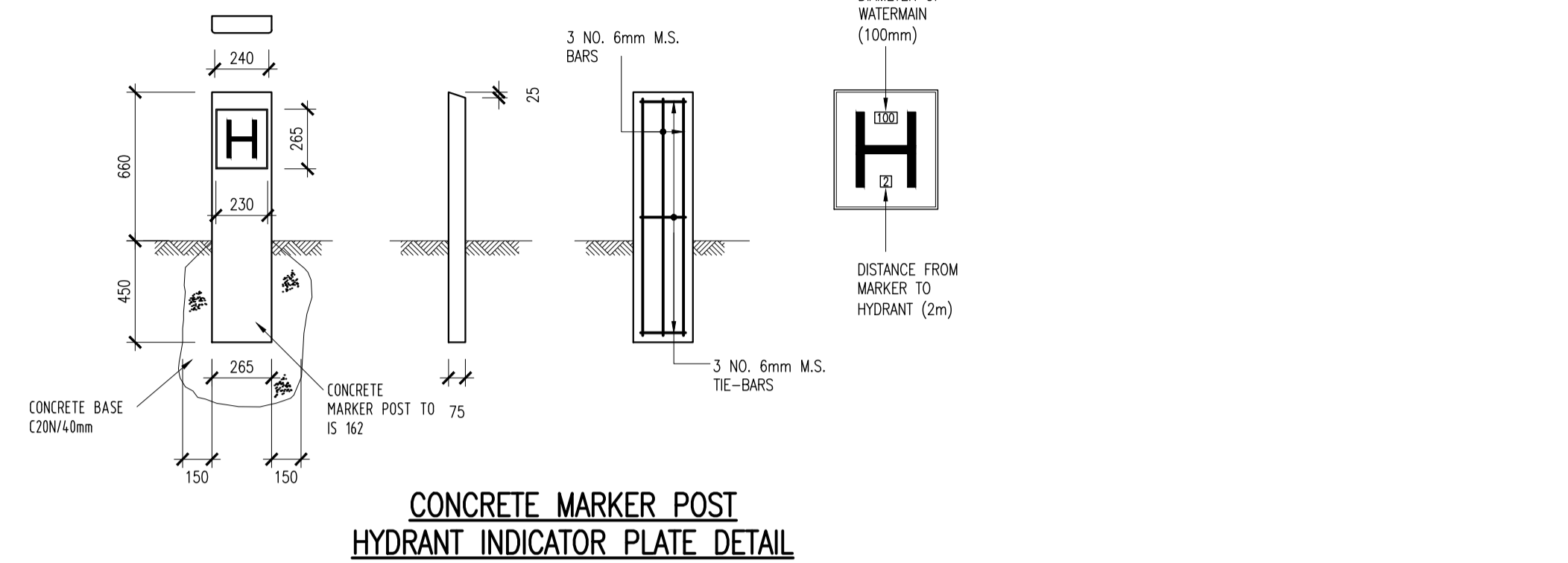
DETAIL OF PIPE ANCHOR BLOCK AT BEND

PIPE SIZE	90° BEND	45° BEND	22.5° BEND	11.25° BEND	TEE + BLANK END
100 DIA.	400 X 400	400 X 400	400 X 400	400 X 400	400 X 400
150 DIA.	550 X 550	400 X 400	400 X 400	400 X 400	400 X 400
200 DIA.	650 X 650	400 X 400	400 X 400	400 X 400	550 X 550
250 DIA.	750 X 750	550 X 550	400 X 400	400 X 400	650 X 650
300 DIA.	750 X 750	650 X 650	550 X 550	400 X 400	650 X 650

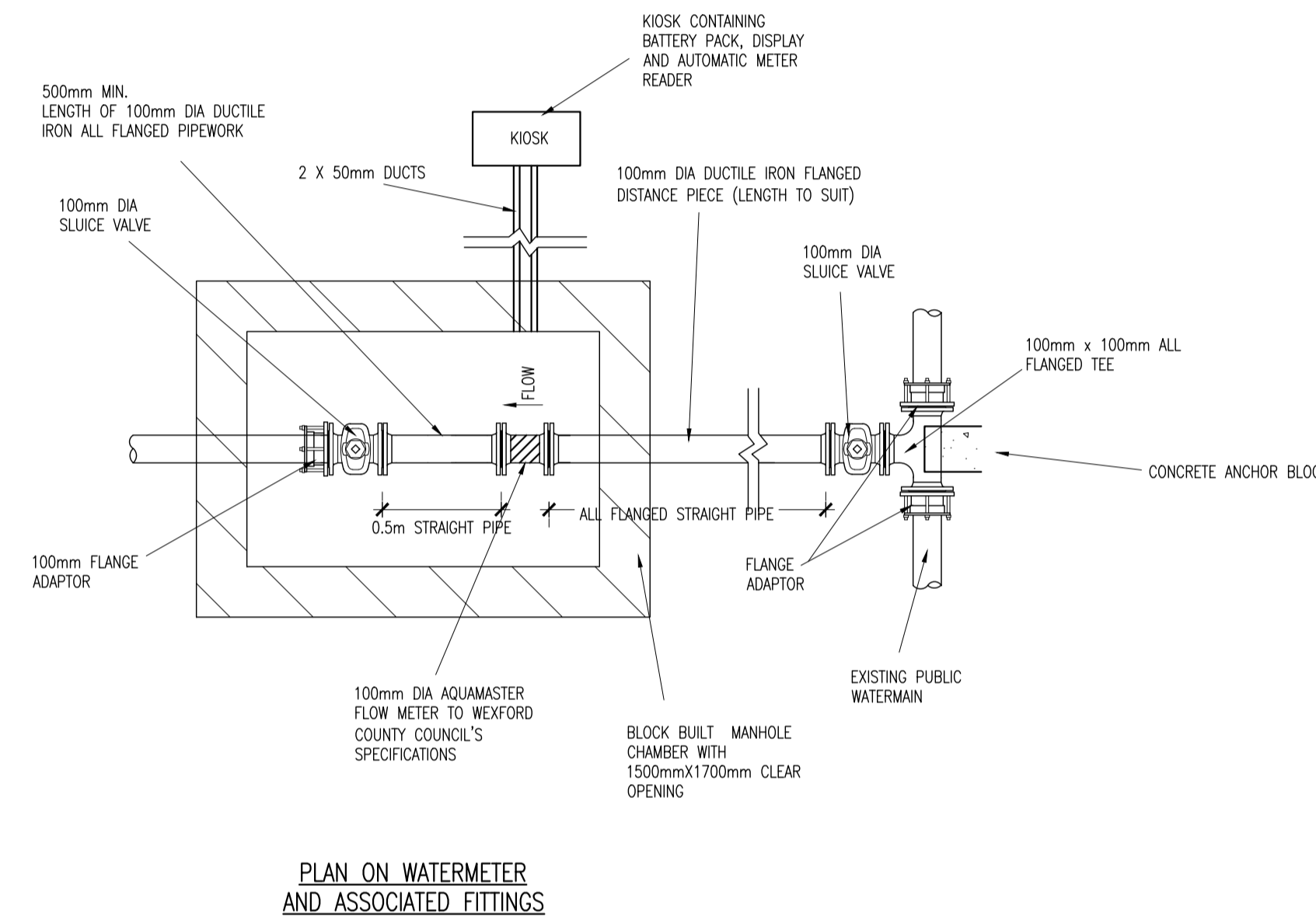
SCHEDULE OF ANCHOR BLOCK SIZES

ANCHOR BLOCK DETAILS

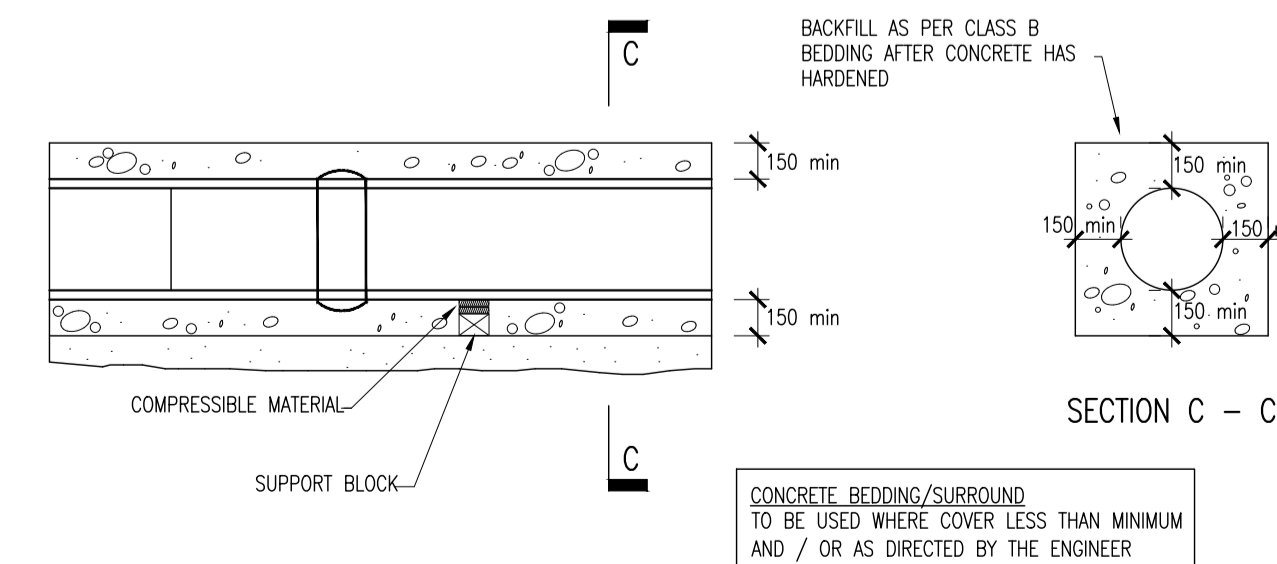
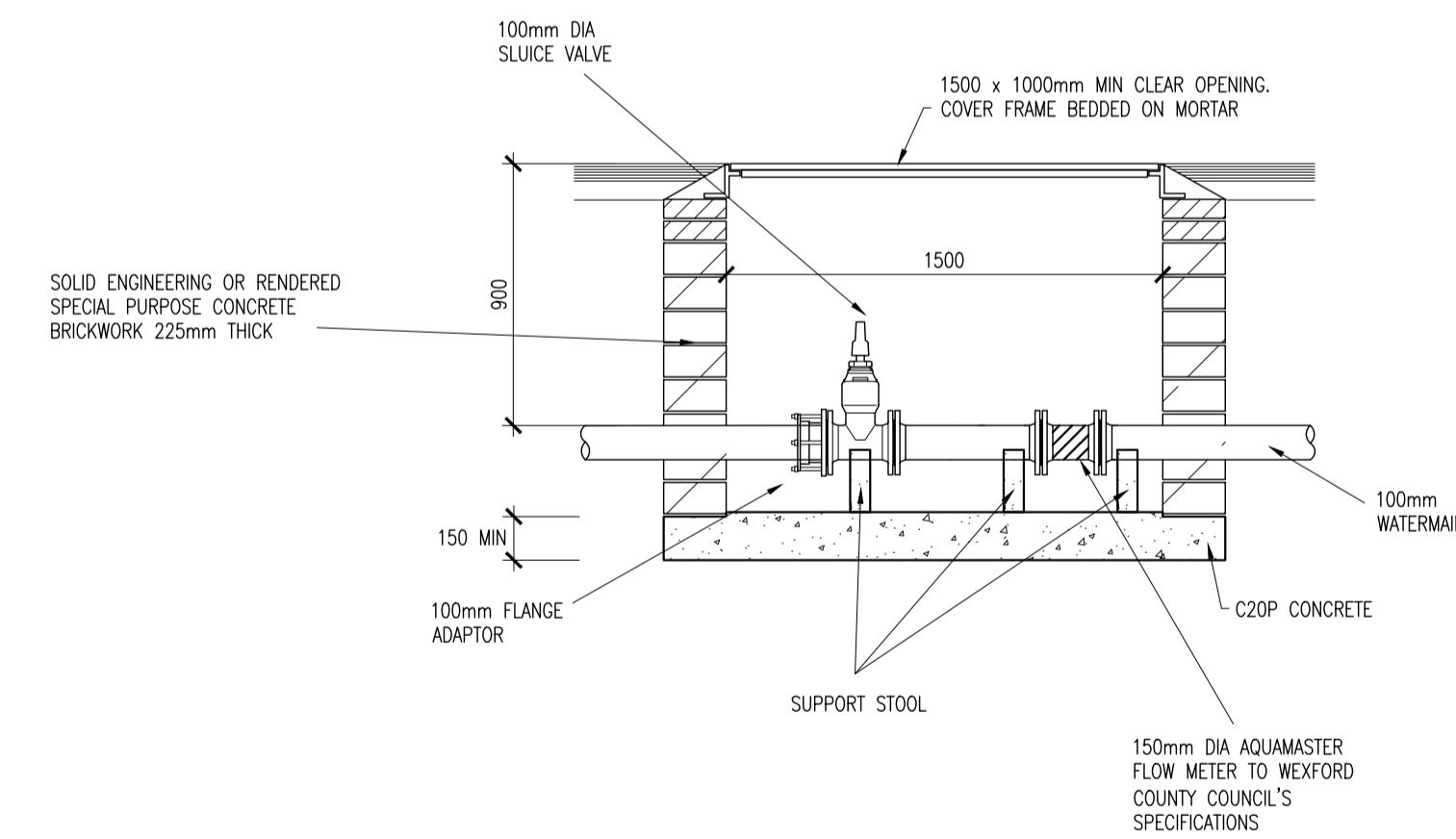
NOTE ON WATERMAIN PIPE ANCHORAGE
CONCRETE ANCHOR BLOCK SHALL BE PROVIDED ON WATERMANS AT DEAD ENDS, TEES, BENDS GREATER THAN 22 1/2° AND AT BOTH SIDES OF SLUICE VALVE CHAMBERS, ANCHOR BLOCKS SHALL ENCASE THE PIPE IN CONCRETE TO A MIN THICKNESS OF 150 ALL ROUND AND SHALL BE MIX C CONCRETE



CONCRETE MARKER POST HYDRANT INDICATOR PLATE DETAIL

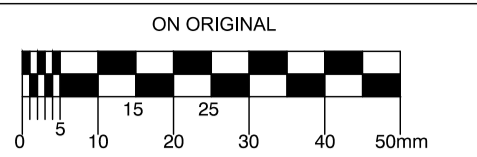


PLAN ON WATERMETER AND ASSOCIATED FITTINGS



CONCRETE BEDDING/SURROUND

© COPYRIGHT OF THIS DRAWING IS RESERVED BY DBFL CONSULTING ENGINEERS. NO PART SHALL BE REPRODUCED OR TRANSMITTED WITHOUT THEIR WRITTEN PERMISSION.



- NOTES:**
1. WATERMAIN TO BE 150/100mm DIA. PVC-A TO BS PAS27 (MIN. 10 BAR) EXCEPT UNDER ROADWAYS WHERE DUCTILE IRON IS TO BE USED.
 2. AT 90 DEG. TURNS USE 2 NO. 45 DEG. BENDS.
 3. MINIMUM COVER TO WATERMAIN TO BE 900mm.
 4. SPIGOT SOCKET CONNECTIONS TO BE USED AT PVC-A/DUCTILE IRON JUNCTIONS.
 5. ANCHOR BLOCKS TO BE POSITIONED AT DEAD ENDS, TEES, BENDS AT EACH SIDE OF HYDRANTS AND VALVES.
 6. HYDRANT OUTLET TO BE 200mm BELOW GROUND LEVEL UNLESS REQUESTED OTHERWISE.
 7. ALL WATER-MANS & FITTINGS TO COMPLY WITH FINGAL COUNTY COUNCIL'S 'GUIDELINES FOR DRINKING WATER SUPPLY FEB 2009'
 8. HYDRANTS SHALL BE MANUFACTURED IN ACCORDANCE WITH BS 750: 2006 TYPE 2 AND SHALL INCORPORATE A SCREENDOWN VALVE, UNDERGROUND 'GUIDE IN LOAD' TYPE WITH BAYONET LEG OUTLETS AND FARE SPINDLE CAP OF CAST IRON AND IRON CHAIN. HYDRANT VALVE SHALL BE 'ANTI CLOCKWISE OPENING'.
 9. SLUICE VALVES SHALL COMPLY WITH THE REQUIREMENT OF BS5163. THEY SHALL 'CLOSE BY TURNING ANTI CLOCKWISE'.
 10. VALVES AND HYDRANTS WHEN INSTALLED SHALL BE COVERED WITH APPROVED HEAVY DUTY METAL SURFACE COVERS. THESE COVERS MUST CONFORM WITH THE LOCAL AUTHORITY SPECIFICATIONS. COVERS TO BE HEAVY DUTY METAL COVERS TO IS EN 124.
 11. INDICATOR PLATES SHALL CLEARLY IDENTIFY HYDRANT, AIR VALVE AND SLUICE VALVE LOCATIONS AND BE BOARD LOCATIONS SHALL BE APPROVED BY THE LOCAL AUTHORITY. FIXED LETTERINGS SHALL COMPLY WITH BS3251. BACKGROUND COLOUR YELLOW TEXT COLOUR BLACK.
 12. DRAINAGE MUST BE PROVIDED TO ENSURE THAT THE CHAMBERS CANNOT BECOME FLOODED WITH SURFACE OR GROUND WATER.
 13. ALL SERVICE PIPES, CONNECTIONS AND WATER CONTROL UNITS SHALL BE AS PER OVERSEEING LOCAL AUTHORITY REQUIREMENTS.
 14. ALL WATERMANS SHALL BE TESTED IN ACCORDANCE WITH SPECIFICATION & LOCAL OVERSEEING AUTHORITIES GUIDELINES FOR DRINKING WATER SUPPLY.
 15. CONNECTION TO EXISTING WATERMAIN TO BE CO-ORDINATED WITH LOCAL OVERSEEING AUTHORITY.
 16. CONTRACTOR TO LIASE WITH LOCAL OVERSEEING AUTHORITY FOR TESTING CLEANSING AND STERILISATION OF NEW WATERMANS.

A	09-10-19	PLANNING SHD STAGE 3	DJG	DCS
REV.	DATE	DESCRIPTION	BY	CHKD.
PLANNING SHD STAGE 3				
DESIGNED	DMW	PREPARED	DJG	
DATE	DEC 2018	CHECKED	DJR	

DBFL Dublin Office: Ormrod House, Upper Ormrod Quay, Dublin 7, Ireland. PHONE +353 1 400 4000 FAX +353 1 400 4050
Waterford Office: Unit 2, The Chandlery, 1-2 O'Connell Street, Waterford, Ireland. PHONE +353 51 308 550 FAX +353 51 844 913

PROJECT
STRATEGIC HOUSING DEVELOPMENT AT COLPE WEST, DROGHEDA, CO. MEATH

DRG. TITLE
WATERMAIN DETAILS

CLIENT
SHANNON HOMES DROGHEDA LTD.

SCALE	AS SHOWN @A1	FILE REF.	170092-3064
DRG. NO.	170092-3064		A